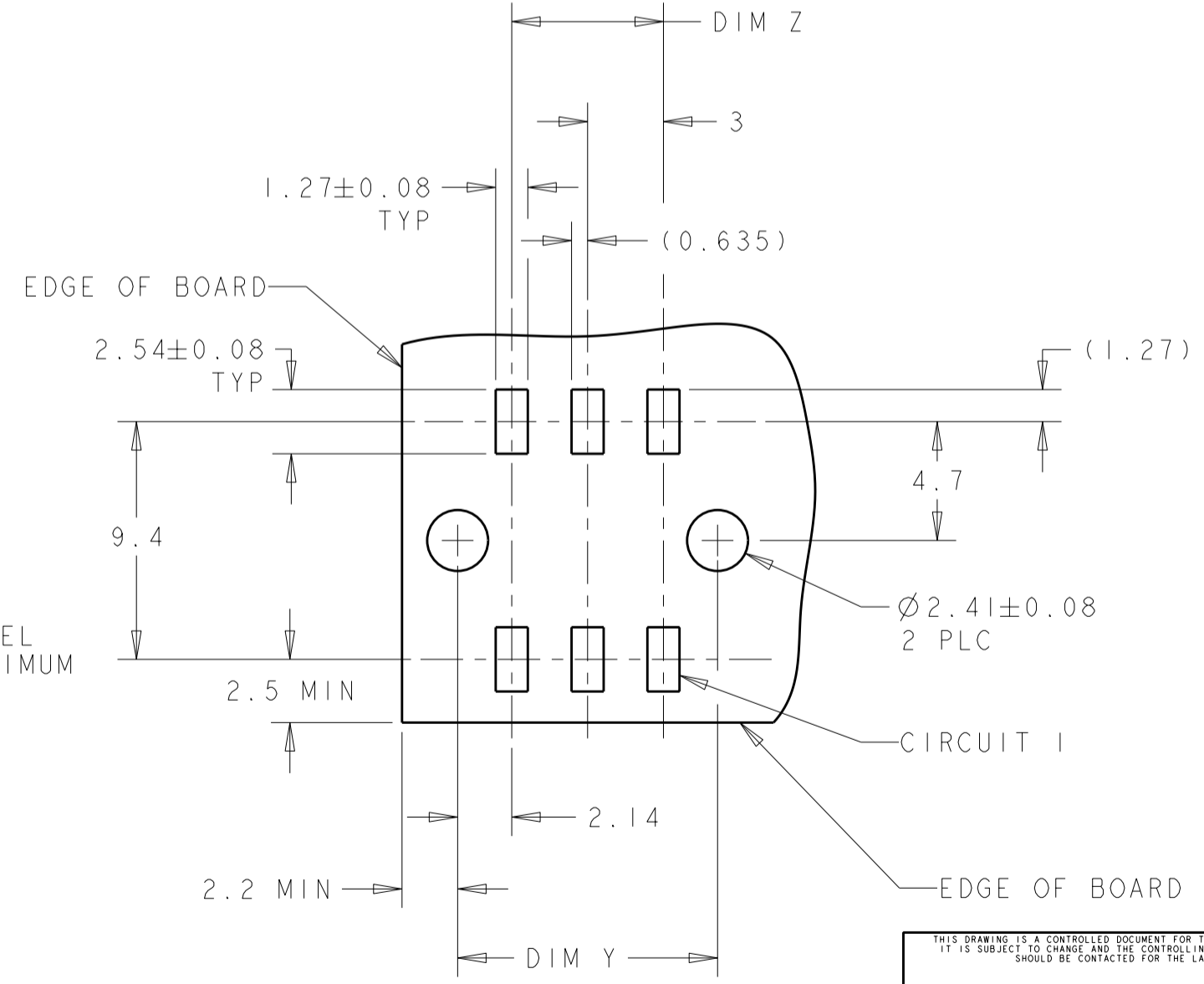
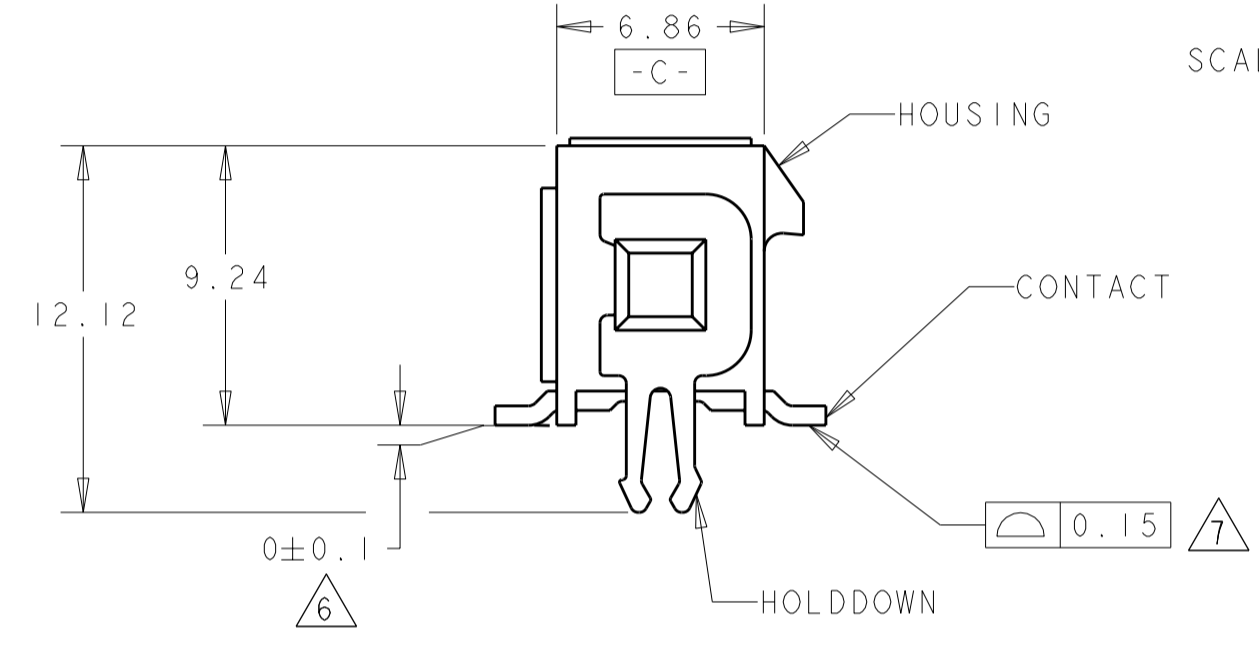
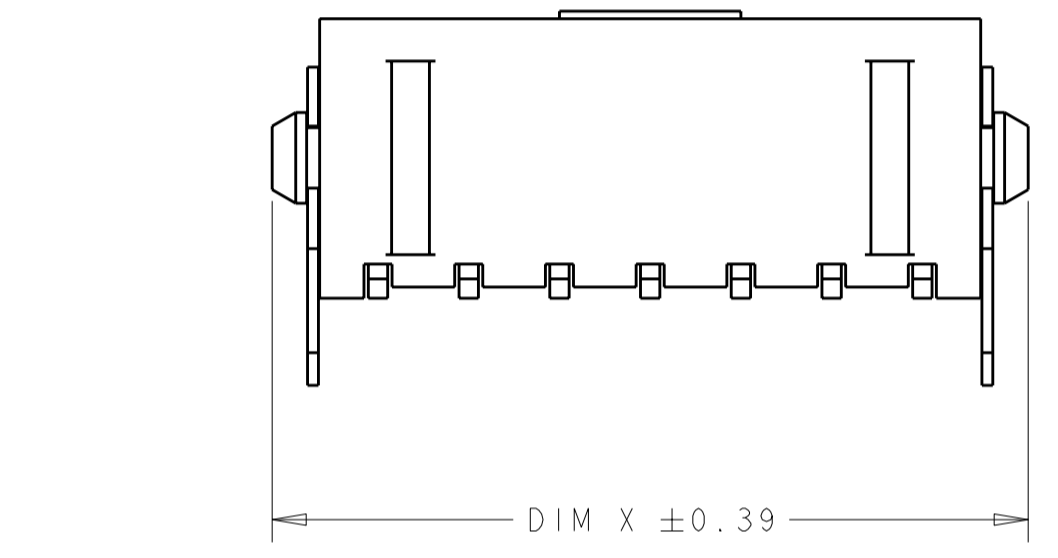
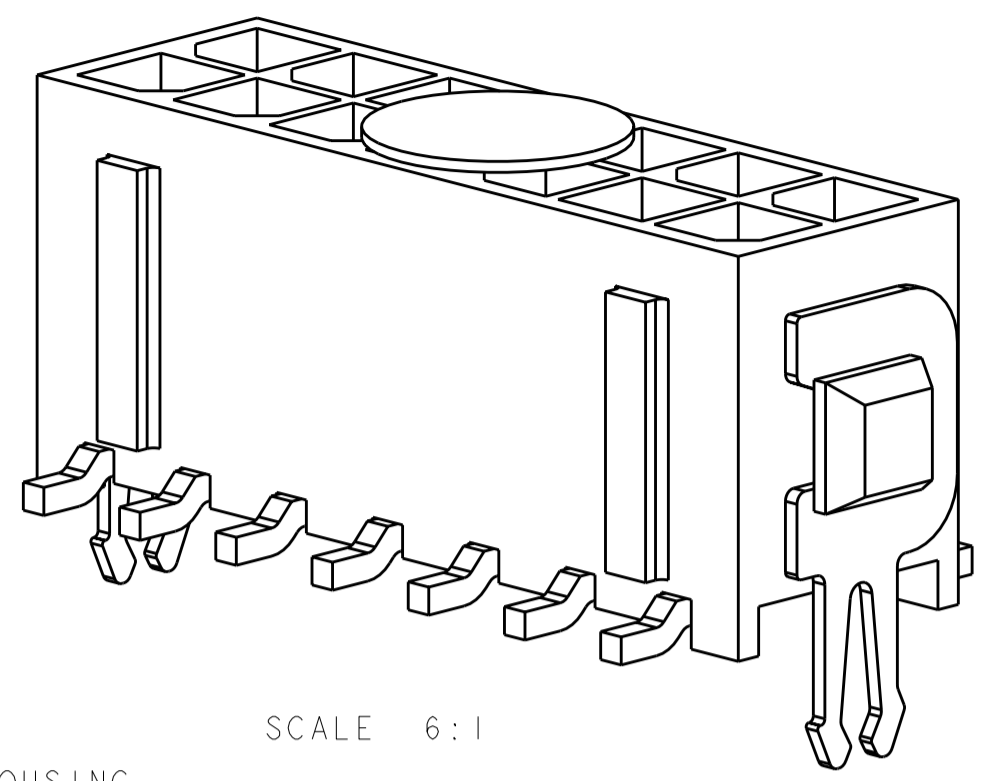
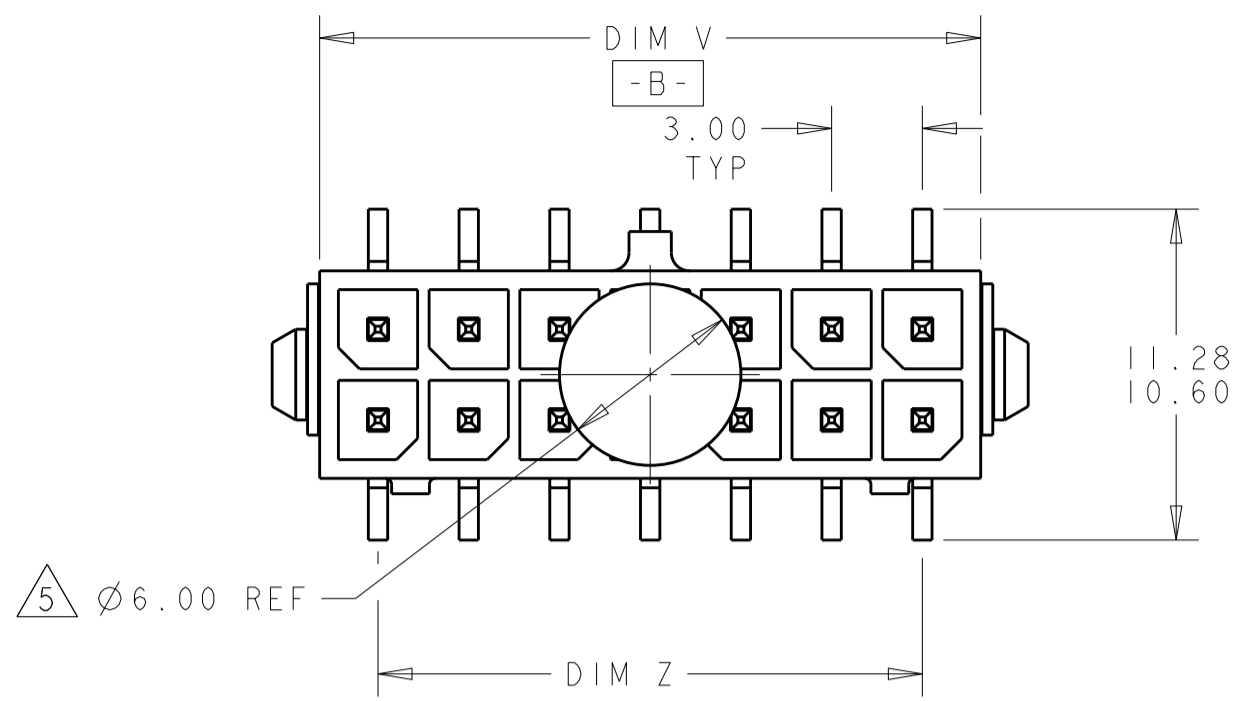


THIS DRAWING IS UNPUBLISHED. RELEASED FOR PUBLICATION 20
 © COPYRIGHT 20 BY TYCO ELECTRONICS CORPORATION. ALL RIGHTS RESERVED.

LOC	DIST	REVISIONS			
P	LTR	DESCRIPTION	DATE	DWN	APVD
CM	00				
	H	REVISED PER ECO-08-009599	16JUL2008	HMR	CJ



- 1 MATERIAL;
CONTACTS - BRASS.
HOUSING - UL 94V-0 RATED HIGH TEMP NYLON, COLOR; BLACK.
HOLDDOWNS - PHOSPHOR BRONZE.
- 2 PLATING;
CONTACTS - 0.38µm MINIMUM GOLD OVER 2.54µm MINIMUM NICKEL
ON MATING AREA. 2.54µm TIN-LEAD MINIMUM OVER 2.54µm MINIMUM
ON SOLDER TAILS.
HOLDDOWNS - 2.54µm TIN-LEAD.
- 4 RECOMMENDED PC BOARD THICKNESS OF 1.57.
- 5 KAPTON VACUUM PICK UP BUTTON.
- 6 DIMENSION APPLIES TO SOLDER TAIL SURFACES
AND STANDOFF SURFACES.
- 7 ALL SOLDER TAILS.
- 8 PLATING;
CONTACTS - 0.38µm MINIMUM GOLD OVER 2.54µm MINIMUM NICKEL
ON MATING AREA. 2.54µm MATTE TIN MINIMUM OVER 2.54µm MINIMUM
ON SOLDER TAILS.
HOLDDOWNS - 2.54µm MATTE TIN.

RECOMMENDED PCB LAYOUT (COMPONENT SIDE)



FINISH	DIM V	DIM Y	DIM Z	DIM X	NO. OF POSN.	PART NUMBER
8	36.86	37.30	33.00	40.00	24	5-794634-4
8	33.86	34.30	30.00	37.00	22	5-794634-2
8	30.86	31.30	27.00	34.00	20	5-794634-0
8	27.86	28.30	24.00	31.00	18	4-794634-8
8	24.86	25.30	21.00	28.00	16	4-794634-6
8	21.86	22.30	18.00	25.00	14	4-794634-4
8	18.86	19.30	15.00	22.00	12	4-794634-2
8	15.86	16.30	12.00	19.00	10	4-794634-0
8	12.86	13.30	9.00	16.00	8	3-794634-8
8	9.86	10.30	6.00	13.00	6	3-794634-6
8	6.86	7.30	3.00	10.00	4	3-794634-4
8	3.86	4.30	-	7.00	2	3-794634-2
2	36.86	37.30	33.00	40.00	24	2-794634-4
2	33.86	34.30	30.00	37.00	22	2-794634-2
2	30.86	31.30	27.00	34.00	20	2-794634-0
2	27.86	28.30	24.00	31.00	18	1-794634-8
2	24.86	25.30	21.00	28.00	16	1-794634-6
2	21.86	22.30	18.00	25.00	14	1-794634-4
2	18.86	19.30	15.00	22.00	12	1-794634-2
2	15.86	16.30	12.00	19.00	10	1-794634-0
2	12.86	13.30	9.00	16.00	8	794634-8
2	9.86	10.30	6.00	13.00	6	794634-6
2	6.86	7.30	3.00	10.00	4	794634-4
2	3.86	4.30	-	7.00	2	794634-2

THIS DRAWING IS A CONTROLLED DOCUMENT FOR TYCO ELECTRONICS CORPORATION. IT IS SUBJECT TO CHANGE AND THE CONTROLLING ENGINEERING ORGANIZATION SHOULD BE CONTACTED FOR THE LATEST REVISION.

DWN: K. WHITAKER 19MAR2003
 CHK: C. JONES 19MAR2003
 APVD: C. JONES 19MAR2003

Tyco Electronics
 Harrisburg, PA 17105-3608

NAME: SURFACE MOUNT, VERTICAL, MECHANICAL
 HOLDDOWN, ASSEMBLY, 15 GOLD HEADER,
 DUAL ROW, MICRO MATE-N-LOK™

SIZE: A2 CAGE CODE: 00779 DRAWING NO: 794634 RESTRICTED TO: -
 WEIGHT: -
 MATERIAL: SEE TABLE
 DIMENSIONS: mm
 TOLERANCES UNLESS OTHERWISE SPECIFIED:
 0 PLC ±
 1 PLC ±
 2 PLC ±0.13
 3 PLC ±
 4 PLC ±
 ANGLES ±
 FINISH

CUSTOMER DRAWING SCALE 4:1 SHEET 1 OF 1 REV H